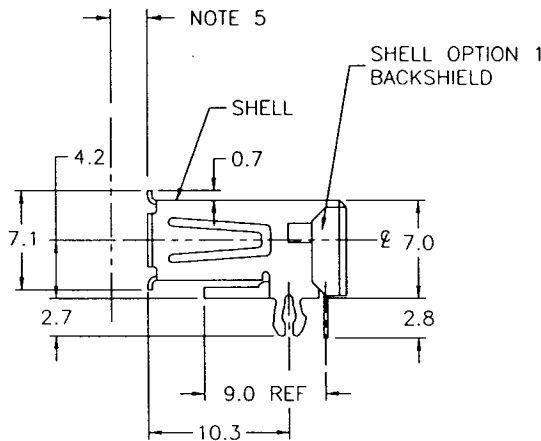
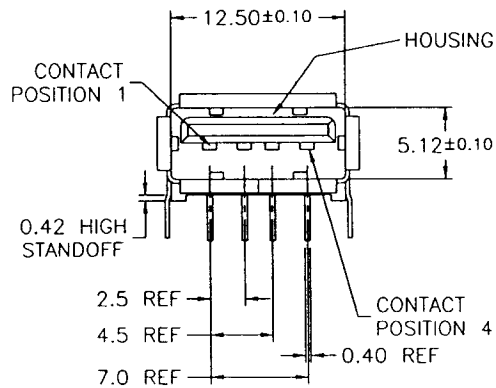
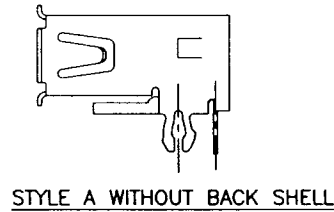
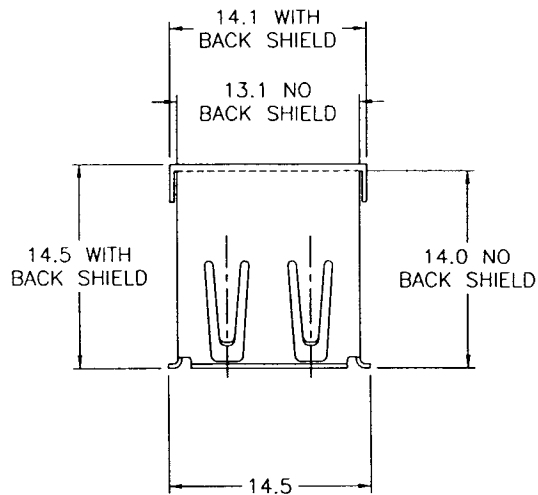


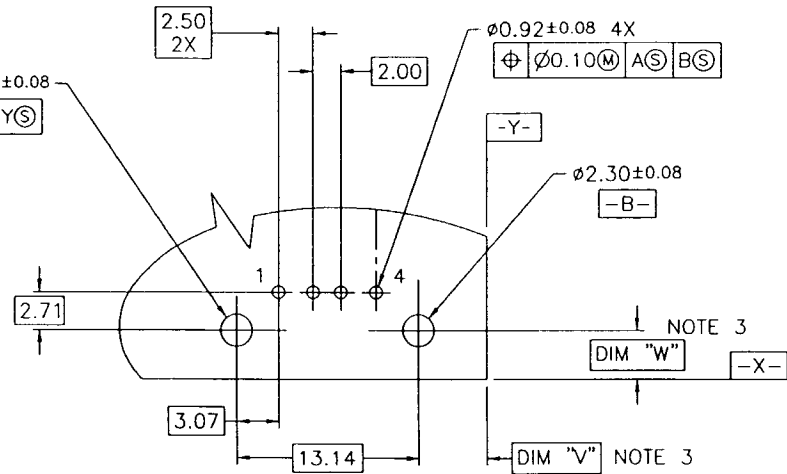
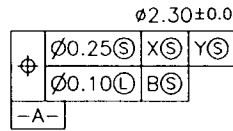
Tous droits strictement réservés. Reproduction ou communication a des tiers interdite sous quelque forme que ce soit sans autorisation écrite du propriétaire.
 Property of © BERG ELECTRONICS. Droits de reproduction BERG ELECTRONICS INC.

All rights strictly reserved. Reproduction or issue to third parties in any form whatever is not permitted without written authority from the proprietor.
 Property of © BERG ELECTRONICS Copyright BERG ELECTRONICS INC.

PRODUCT NO.
 SEE PRODUCT NUMBER CODE



PRODUCT SPECIFICATION: BUS-12-123
 PRODUCT TEST REPORT: EL-96-10-022CR



P.C. BOARD LAYOUT

NOTES:

1. MATERIAL:
 CONTACTS: PHOSPHOR BRONZE.
 SHELL: PHOSPHOR BRONZE.
 HOUSING: UL 94V-0 RATED THERMOPLASTIC
2. PLATING:
 CONTACTS: SEE PRODUCT NUMBER CODE
 SHELL: 2.5µm BRIGHT TIN OVER NICKEL UNDERPLATE
 SEE PRODUCT NUMBER CODE
- ③ DATUM AND BASIC DIMENSIONS ESTABLISHED BY CUSTOMER
4. RECOMMENDED PC BOARD THICKNESS OF 1.57mm
- ⑤ 2.67mm MAXIMUM PANEL THICKNESS IF MOUNTED BEHIND PANEL
6. CONTACT PLATING CODE OPTION 1 DOES NOT MEET THE PLATING SPECIFIED PER UNIVERSAL SERIAL BUS SPECIFICATION REVISION 1.0

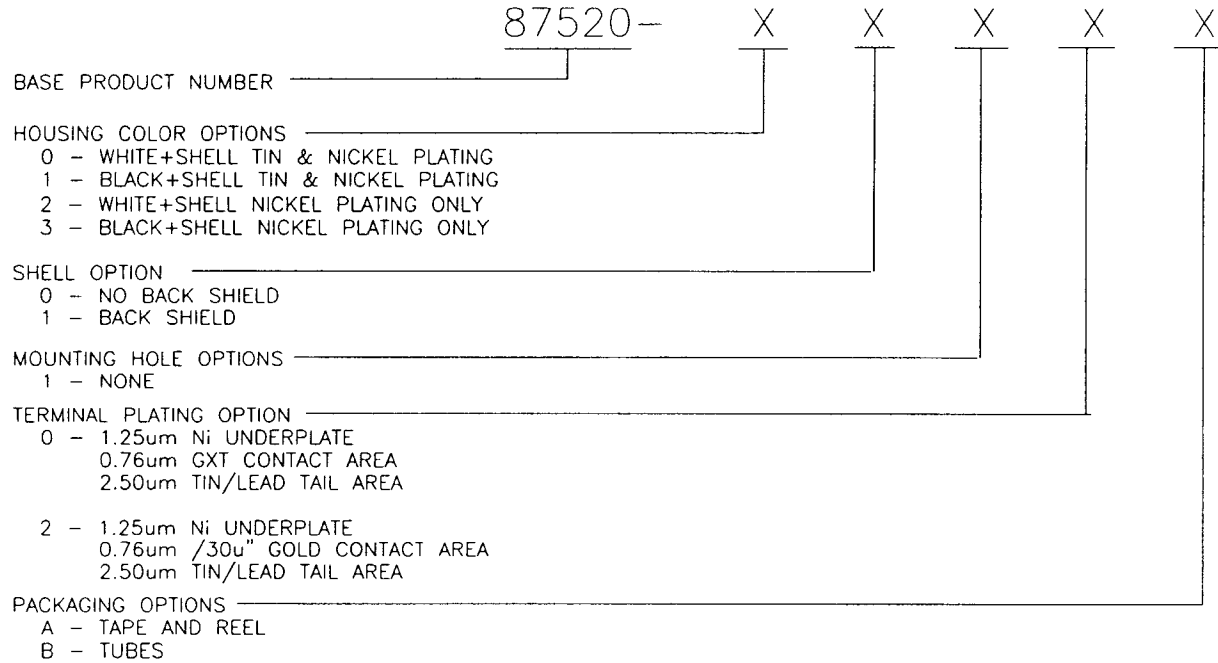
mat'l. code NOTE 1 & 2				tolerances unless otherwise specified			CUSTOMER COPY		BERG ELECTRONICS		
ltr	ecn no	dr	date	.X ± .25			projection	title	UNIV. SERIAL BUS RECEPTACLE		
L	T80233	P P	6/10/98	linear	.XX						
M	T80246	P P	6/18/98		.XXX		mm	product family	USB		
N	T80319	P P	7/22/98	angles	0' ± 2'						
P	T80544	P P	11/30/98	dr	FUSSELMAN	3/1/96	scale	size	dwg no	code	
R	T80531	P P	12/02/98	engr	J. DAVID	3/1/96					
S	T90141	P P	03/26/99	chr	J. DAVID	6/5/96	2:1	A4	87520	sheet 1 of 2	
				appd	J. DAVID	6/5/96					
sheet index	revision sheet	S	P								
		1	2								

Tous droits strictement reserves. Reproduction ou communication a des tiers interdite sous quelque forme que ce soit sans autorisation écrite du propriétaire.
 Propriete de © BERG ELECTRONICS. Droits de reproduction BERG ELECTRONICS INC.



All rights strictly reserved. Reproduction or issue to third parties in any form whatever is not permitted without written authority from the proprietor.
 Property of © BERG ELECTRONICS Copyright BERG ELECTRONICS INC.

PRODUCT NUMBER CODE



mat'l. code				tolerances unless otherwise specified			CUSTOMER COPY			
ltr	ecn no	dr	date	linear	.X ±.25		projection	title		
P					.XX				UNIV. SERIAL BUS RECEPTACLE	
				angles	.XXX				product family USB	
				dr	PAMP	9/22/97		mm	size dwg no	
				enr	R Y LIU	9/22/97	scale		code	
				chr	R Y LIU	9/22/97		2:1	TWN	
				appd	JENN TSAO	9/22/97	A4		sheet	
sheet	revision								2 of	
index	sheet									